

Enclosed Disconnect switches



Enclosed disconnect switches

16A – 3150A Non-fusible

30A – 800A Fusible



SafeLine enclosed disconnect switches are designed to meet customer requirements in terms of safety, ease of installation, space savings and operational convenience. They are available in a wide range of amperage ratings, are UL approved and NEMA rated to satisfy rugged industrial environments.

Disconnect
switches
Non-fusible
Enclosed

eOT UL508 Enclosed switches

The eOT series of enclosed manual motor controllers are rotary operated, 3 pole, 600V Hp rated switches, housed in thermoplastic/polycarbonate enclosures suitable for wet and corrosive environments.



EOT16U3P3-S



EOT16U3P4-P

NEMA 3R/12

Handle type	Handle color	Amp rating	Auxiliary contacts	Catalog number
Selector	Black	16	--	EOT16U3P3-S
Selector	Black	40	--	EOT32U3P3-S
Selector	Black	60	--	EOT45U3P3-S
Pistol	Black	80	--	EOT63U3P3-P
Selector	Black	16	1 NO	EOT16U3P3-1S
Selector	Black	40	1 NO	EOT32U3P3-1S
Selector	Black	60	1 NO	EOT45U3P3-1S
Pistol	Black	80	1 NO	EOT63U3P3-1P
Selector	Red/Yellow	16	--	EOT16U3P3-S1
Selector	Red/Yellow	40	--	EOT32U3P3-S1
Selector	Red/Yellow	60	--	EOT45U3P3-S1
Pistol	Red/Yellow	80	--	EOT63U3P3-P1
Selector	Red/Yellow	16	1 NO	EOT16U3P3-1S1
Selector	Red/Yellow	40	1 NO	EOT32U3P3-1S1
Selector	Red/Yellow	60	1 NO	EOT45U3P3-1S1
Pistol	Red/Yellow	80	1 NO	EOT63U3P3-1P1

NEMA 4/4X

Pistol	Black	16	--	EOT16U3P4-P
Pistol	Black	40	--	EOT32U3P4-P
Pistol	Black	60	--	EOT45U3P4-P
Pistol	Black	80	--	EOT63U3P4-P
Pistol	Black	16	1 NO	EOT16U3P4-1P
Pistol	Black	40	1 NO	EOT32U3P4-1P
Pistol	Black	60	1 NO	EOT45U3P4-1P
Pistol	Black	80	1 NO	EOT63U3P4-1P
Pistol	Red/Yellow	16	--	EOT16U3P4-P1
Pistol	Red/Yellow	40	--	EOT32U3P4-P1
Pistol	Red/Yellow	60	--	EOT45U3P4-P1
Pistol	Red/Yellow	80	--	EOT63U3P4-P1
Pistol	Red/Yellow	16	1 NO	EOT16U3P4-1P1
Pistol	Red/Yellow	40	1 NO	EOT32U3P4-1P1
Pistol	Red/Yellow	60	1 NO	EOT45U3P4-1P1
Pistol	Red/Yellow	80	1 NO	EOT63U3P4-1P1

Accessories for eOT16 – eOT63

Description	For use on	AC thermal amp rating	AC rated voltage	Catalog number
Auxiliary contacts ②				
NO, mounts on right side of the switch only	eOT16 - 63	10	600	OA1G10
NC, mounts on left side of the switch only		10	600	OA1G01
4th pole ③				
4th pole	eOT16 & eOT32	40	600	OTPS40FPN1
4th pole, late-break / early-make function		40	600	OTPL40FP
4th pole	eOT45 & eOT63	80	600	OTPS80FP
4th pole, late-break / early-make function		80	600	OTPL80FP

① Due to torque requirements, the eOT63 is equipped with a pistol handle for both 3X/12 & 4/4X versions.

② Maximum number of auxiliary contacts: 2NO + 1NC.

③ Only one additional pole per switch.

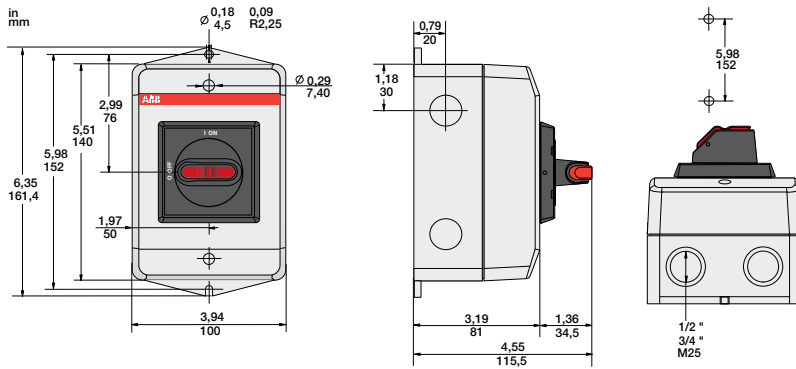
eOT Enclosed switches

Approximate dimensions

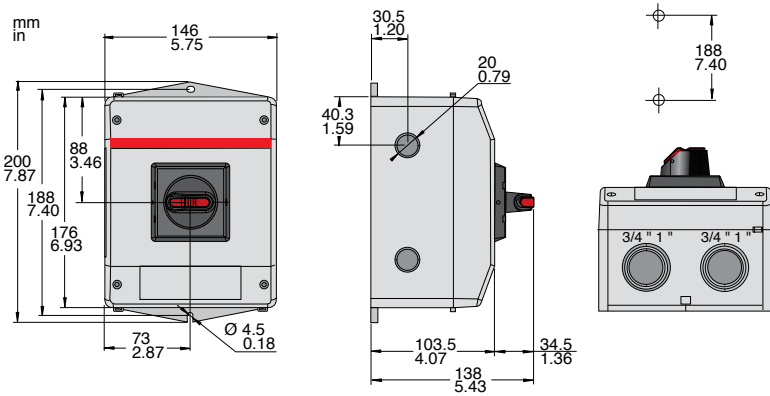
eOT16_ - eOT45U

Disconnect
switches
Non-fusible
Enclosed

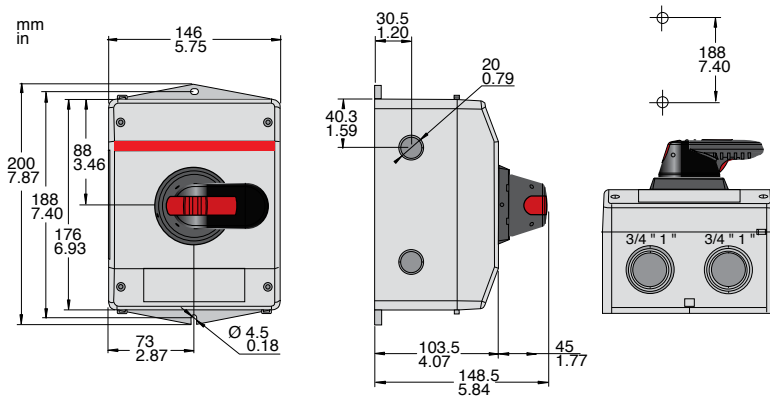
eOT16_, eOT32_ (enclosure size 1)



eOT45U_ (enclosure size 2 with selector handle)



eOT45U_ (enclosure size 2 with pistol grip handle)

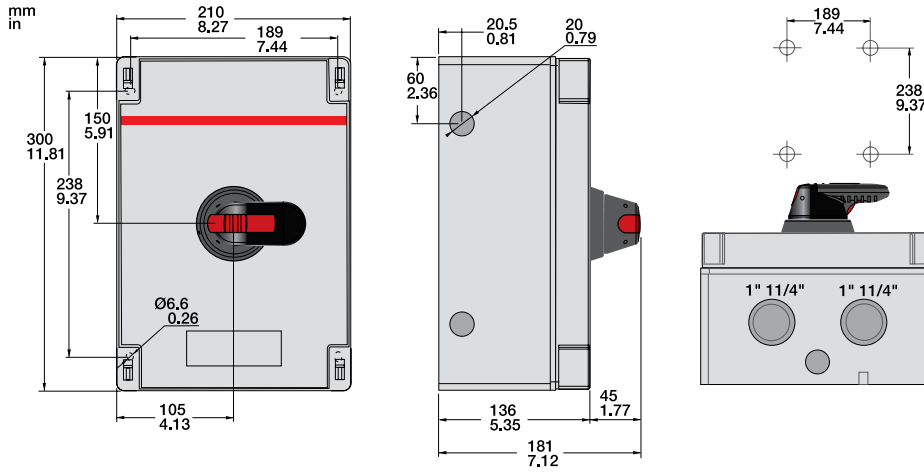


Disconnect
switches
Non-fusible
Enclosed

eOT Enclosed manual motor controllers

Approximate dimensions
eOT63_

eOT63_ (enclosure size 3 with pistol grip handle)



General information

Non-fusible, fusible & lockable

Disconnect
switches
Non-fusible
Enclosed

Non-Fusible

UL Listed to UL 508 and UL 98.
CSA approved
IEC rated
CE marked

Snap on accessories include additional poles, auxiliary contacts, etc.

Enclosures available in plastic, metal, or stainless steel in NEMA 1, 3R, 12, 4X, 7 & 9 environmental categories



Modern appearance

Quick make, quick brake mechanism

Heavy duty disconnect, 600VAC

Extremely compact size

Finger-proof construction. No hazardous exposed parts

3/4/6/8 pole constructions; transfer switches and by-pass switches available

Fusible

UL Listed to UL 98 standards.
CSA approved
IEC rated
CE marked

Snap on accessories include fuse monitors, auxiliary contacts, etc.

Enclosures available in plastic, metal, or stainless steel in NEMA 1, 3R, 12, 4X, 7 & 9 environmental categories

Fuse carriers available for US standards, BS, DIN, NFC standard and for various high speed fuse patterns



Modern appearance

Quick make, quick brake mechanism

Heavy duty disconnect, 600VAC, 200kA, I_{SC}

Extreme compact size as fuse carriers are decked above contacts

Double contacts enabling feed from any direction and preventing back feed

Finger-proof construction. No hazardous exposed parts

3/4/6/8 pole constructions; transfer switches and by-pass switches available

Lockable

Clear position indications:
I-ON
O-OFF

Door interlocked when handle padlocked to OFF position

Handle padlockable with up to three padlocks



Door interlocked when handle is in ON position. Door interlock can be defeated by authorized personnel.

Pilot devices can be added

**Disconnect
switches**
Non-fusible
Enclosed

General information

Non-fusible, 16A - 3150A

Switch ratings, 16 – 3150 Amps, 600V

UL General purpose amp rating	Maximum horsepower rating							Wire size for terminal lugs	For wire type	Approval
	Single phase			Three phase						
	120V	200V	240V	200V – 208V	240V	480V	600V			
UL 508 ↑ 16 25 40	1	2	2	3	5	10	10	#18 – 8	Cu	CSA, UL
	1.5	3	3	7.5	7.5	15	20	#18 – 8	Cu	CSA, UL
	2	5	5	10	10	20	25	#18 – 8	Cu	CSA, UL
UL 98 ↑ 60 80 30 60 100 125 200 400 600 800 1200 1600 2000 3150 ① ↓	2	5	5	15	15	30	30	#14 – 1	Cu	CSA, UL
	2	5	5	20	20	40	40	#14 – 1	Cu	CSA, UL
	2	5	5	10	10	20	30	#14 – 4	Cu	CSA, UL
	3	7.5	7.5	20	20	40	40	#14 – 4	Cu	CSA, UL
	5	15	15	25	30	50	50	#8 – 1/0	Cu	CSA, UL
	7.5	20	20	30	30	75	100	#8 – 1/0	Cu	CSA, UL
	—	—	—	60	75	150	200	#6 – 300 kcmil	Cu	CSA, UL
	—	—	—	100	125	250	350	#2 – 600 kcmil	Cu	CSA, UL
	—	—	—	150	200	400	500	(2) #2 – 600 kcmil	Cu	CSA, UL
	—	—	—	200	250	500	600	(2) #2 – 600 kcmil	Cu/Al	CSA, UL
	—	—	—	—	—	—	—	(4) #2 – 600 kcmil	Cu/Al	CSA, UL
	—	—	—	—	—	—	—	(4) #2 – 600 kcmil	Cu/Al	CSA, UL
—	—	—	—	—	—	—	(8) #2 – 600 kcmil	Cu/Al	CSA, UL	
—	—	—	—	—	—	—	(8) #2 – 600 kcmil	Cu/Al	IEC	

Handle ratings, 16 – 3150 Amps, 600V

Amperage range	Style type	NEMA	Color	Marking	Defeatable	Padlockable	Catalog number suffix	Catalog number
16 – 100	Selector	1,3R,12	Black	O/I & OFF/ON	Yes	Yes	BJ	OHBS2AJ
	Selector	1,3R,12	Red/Yel				YJ	OHYS2AJ
	Pistol	1,3R,12	Black				B6	OHBS65J6
	Pistol	1,3R,12	Red/Yel				Y6	OHYS65J6
	Pistol	1,3R,4,4X,12	Black				B6	OHBS65L6
	Pistol	1,3R,4,4X,12	Red/Yel				Y6	OHYS65L6
125 - 200	Pistol	1,3R,12	Black	O/I & OFF/ON	Yes	Yes	B6	OHB65J6
		1,3R,12	Red/Yel				Y6	OHY65J6
		1,3R,4,4X,12	Black				B8	OHB80L6
		1,3R,4,4X,12	Red/Yel				Y8	OHY80L6
400 – 3150	Pistol	1,3R,12	Black	O/I & OFF/ON	Yes	Yes	B4	OHB145J12
		1,3R,12	Red/Yel		Yes		Y4	OHY145J12
		1,3R,12	Black		Yes		B7	OHB175J12
		1,3R,12	Red/Yel		Yes		Y7	OHY175J12
		1,3R,4,4X,12	Black		Yes		B4	OHB145L12
		1,3R,4,4X,12	Red/Yel		Yes		Y4	OHY145L12
		1,3R,4,4X,12	Black		Yes		B7	OHB175L12
		1,3R,4,4X,12	Red/Yel		Yes		Y7	OHY175L12
		1,3R,4,4X,12	Metal		No		8	YASDA-8
16 – 200	Pistol	1,3R,12	Black	I/O/II	Yes	Yes	B8	OHB80J6E011
		1,3R,4,4X,12	Black				Y8	OHB80L6E011
400	Pistol	1,3R,12	Black	I/O/II	Yes	Yes	B4	OHB145J12E011
400 – 3150	Pistol	1,3R,12	Black	I/O/II	Yes	Yes	B7	OHB175J12E011
					Yes		B7	OHB175L12E011
					No		21	YASDA-21
					No		6	YASDA-6

① IEC rated only.

General information

Fusible, 30A – 800A

Disconnect
switches
Fusible
Enclosed

Switch ratings

UL general purpose amp rating	Maximum horsepower rating								Wire size for terminal lugs	For wire type	Approval ①
	Single phase				Three phase						
	120V	200V	240V	200V	208V	240V	480V	600V			
30	2	3	5	5	7.5	7.5	15	20	#18 – 8	Cu	CSA, UL
60	3	7.5	10	15	15	15	30	50	#14 – 4	Cu	CSA, UL
100	5	10	15	25	25	30	60	75	#14 – 2/0	Cu/Al	CSA, UL
200	—	—	—	50	50	60	125	150	#6 – 300 kcmil	Cu/Al	CSA, UL
400	—	—	—	100	125	125	250	350	#2 – 600 kcmil	Cu/Al	CSA, UL
600	—	—	—	150	150	200	400	500	(2) #2 – 600 kcmil	Cu/Al	CSA, UL
800	—	—	—	200	200	250	500	600	(2) #2 – 600 kcmil	Cu/Al	CSA, UL

Handle ratings

Amperage range	Style type	NEMA	Color	Marking	Defeatable	Padlockable	Catalog number suffix	Catalog number
30	Selector	1,3R,12	Black	O/I & OFF/ON	Yes	Yes	BJ	OHBS2AJ
	Selector	1,3R,12	Red/Yel				YJ	OHYS2AJ
	Pistol	1,3R,12	Black				B6	OHBS65J6
	Pistol	1,3R,12	Red/Yel				Y6	OHYS65J6
	Pistol	1,3R,4,4X,12	Black				B6	OHBS65L6
	Pistol	1,3R,4,4X,12	Red/Yel				Y6	OHYS65L6
60 – 200	Pistol	1,3R,12	Black	O/I & OFF/ON	Yes	Yes	B6	OHBS65J6
		1,3R,12	Red/Yel				Y6	OHYS65J6
		1,3R,12	Black				B8	OHBS80J6
		1,3R,12	Red/Yel				Y8	OHYS80J6
		1,3R,4,4X,12	Black				B8	OHBS80L6
		1,3R,4,4X,12	Red/Yel				Y8	OHYS80L6
400 – 800	Pistol	1,3R,12	Black	O/I & OFF/ON	Yes	Yes	B4	OHBS145J12
		1,3R,12	Red/Yel		Yes		Y4	OHYS145J12
		1,3R,12	Black		Yes		B7	OHBS175J12
		1,3R,12	Red/Yel		Yes		Y7	OHYS175J12
		1,3R 4,4X,12	Black		Yes		B4	OHBS145L12
		1,3R,4,4X,12	Red/Yel		Yes		Y4	OHYS145L12
		1,3R 4,4X,12	Black		Yes		B7	OHBS175L12
		1,3R,4,4X,12	Red/Yel		Yes		Y7	OHYS175L12
		1,3R,4,4X,12	Metal		No		8	YASDA-8
30	Pistol	1,3R,12	Black	I/O/II	Yes	Yes	B6	OHBS65J6E011
		1,3R,4,4X,12					OHBS65L6E011	
60 – 200	Pistol	1,3R,12	Black	I/O/II	Yes	Yes	B8	OHBS80J6E011
		1,3R,4,4X,12					OHBS80L6E011	
400 – 800	Pistol	1,3R,12	Black	I/O/II	Yes	Yes	B4	OHBS145J12E011
	Pistol	1,3R,4,4X,12	Black		Yes		B4	OHBS145L12E011
	Pistol	1,3R,12	Black		Yes		B7	OHBS175J12E011
	Pistol	1,3R,4,4X,12	Black		Yes		B7	OHBS175L12E011
	Metallic	1,3R,4,4X,12	Metal		No		21	YASDA-21
	Metallic	1,3R,4,4X,12	Metal		No		6	YASDA-6

① Fusible switches are UL listed to the UL98 standard.